



2017 OUTLANDER SPORT

Owner's Handbook



Thank you for buying a Mitsubishi Outlander Sport. There's no doubt you've already realized how well your car drives on the open road. What you may not know is all the great features that help your car perform the way it does. In the pages ahead we're going to run through the basics and prepare you for the road.

We hope you will visit the Mitsubishi Owner's site where we store the latest Mitsubishi news and special offers. Here you can also keep track of your car's warranty and servicing needs, get Roadside Assistance Information and tap into other owner-centric details. Just log on to www.Mitsubishicars.com/ownersonly.

NOTE: Please refer to your Owner's Manual for more detailed information.

Table of Contents

Driver's View	2-3
Controls	4-6
Own the Road	7
Technology	8-9
HomeLink® (if equipped)	10
Audio System	11
Display Audio System (if equipped)	12
Navigation Audio (if equipped)	13
Bluetooth®	14
FAQ's	15-17



Driver's View

- 1** Headlights and Fog Lights..... Page 4
- 2** Windshield Wiper Lever..... Page 5
- 3** Automatic Climate Controls Page 6
- 4** Seat Heater Switch
(if equipped) Page 6
- 5** Cruise Control Page 7
- 6** Paddle Shifters (if equipped) Page 7
- 7** Engine Start Switch
(if equipped) Page 8
- 8** Multi-Information
Display (MID)..... Page 9
- 9** HomeLink® (if equipped)..... Page 10
- 10** Audio Remote
Control Switch..... Page 11
- 11** Audio System..... Page 11
- 12** USB and iPod® Input..... Page 11
- 13** Display Audio (if equipped) Page 12
- 14** Navigation Audio (if equipped) .. Page 13
- 15** Bluetooth® Controls..... Page 14





3

4

14



11



13

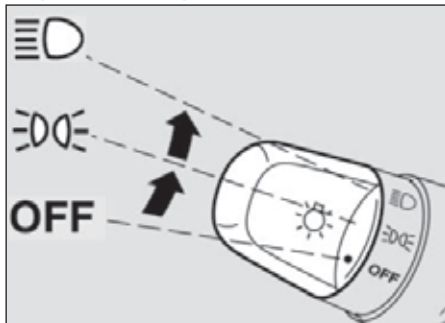




12



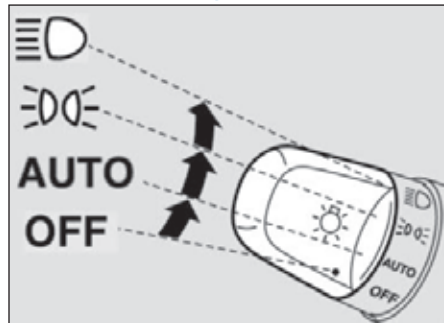
9

Regular Headlights

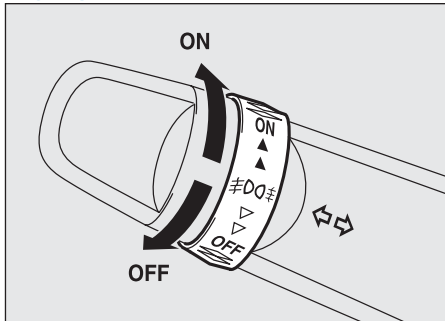


-  Headlights and other lights on.
-  Parking, tail, front and rear sidemarker lights, license plate and instrument panel lights on.
- AUTO** Headlights and other lights turn on and off automatically in accordance with outside light level.
- OFF** All lights off

Automatic Headlights (if equipped)

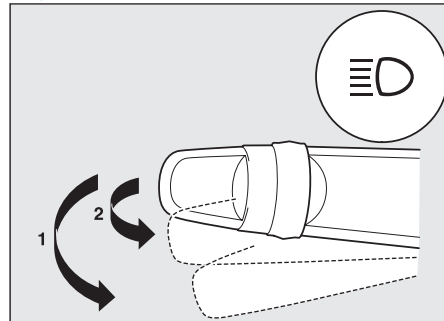


Fog Lights (if equipped)



Fog Lights will illuminate only when headlights are on low beam. Turning the knob in the direction of the ON position turns on the fog lights. Turning the knob in the direction of the OFF position turns off the fog lights. The knob will return to the neutral position when released.

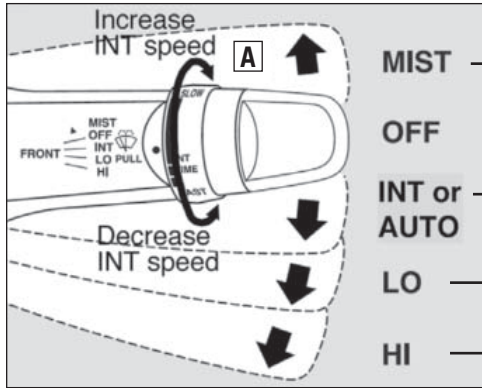
High/Low Beam Switch



To change the headlights from high beam to low beam and vice versa, pull the turn signal lever fully towards you (1). An illuminated blue light in the instrument cluster indicates when the headlights are on high beam.

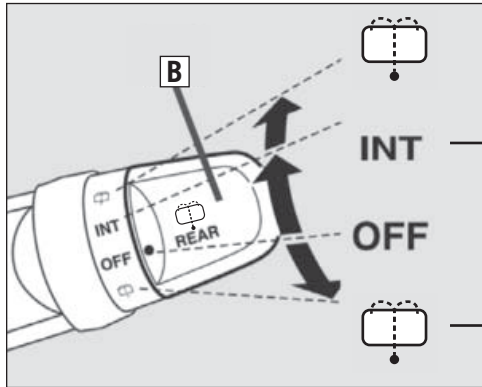
Headlight flasher – you can flash the high beams by pulling the lever gently towards you (2).

Windshield Wipers



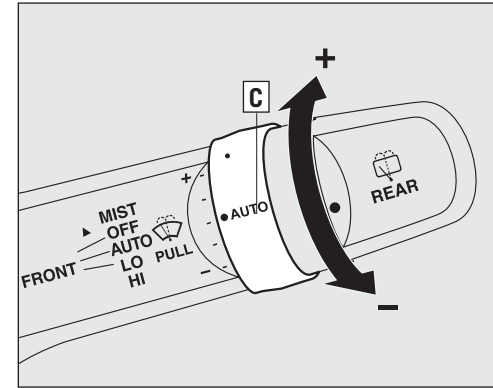
- MIST** — The wipers will operate once.
- OFF** —
- INT or AUTO** — **INT:** Intermittent intervals can be adjusted by turning the knob **A**.
AUTO: The wipers will be operated automatically by rain sensor (if equipped).
- LO** — Slow
- HI** — Fast

Rear Window Wiper/Washer



- Turn the knob **B** to operate the rear window wiper.
- INT** — The wiper operates continuously for several seconds then operates intermittently at intervals of about 8 seconds.
- OFF** — Washer fluid is sprayed, the wiper will automatically operate 2 or 3 times.

Rain Sensing Wipers (if equipped)



It is possible to adjust the sensitivity of the rain sensor by turning the AUTO ring **C**.

- + Higher sensitivity to rain
- Lower sensitivity to rain

Automatic Climate Controls



- A** - Turn for temperature control.
- B** - Push to select outside air (Indicator light off) or recirculated air (Indicator light on).
- C** - Turn to select the blower speed. To the right increases blower speed. To the left decreases blower speed. Turned all the way to the left turns the blower off. Note: OFF is located above AUTO.
- D** - Push for air conditioning ON/OFF (Indicator light on/ Indicator light off).
- E** - Turn to select the air flow and direction mode.
- F** - Push to defog the rear window (Indicator light on). Rear window defogger light automatically turns off after 20 minutes.

To defog front windshield (for both automatic and manual)

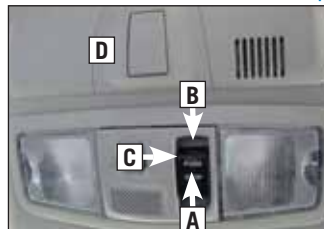
1. Set the Mode Dial **E** to defrost position.
2. Set the blower speed **C** to the maximum position.
3. Set the temperature **A** to the highest position.

Seat Heater Switch (if equipped)



- 1** HI - For quick heating
- 2** - Heater off
- 3** LO - To keep the seat warm

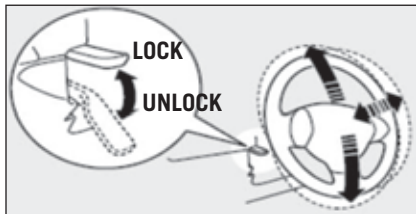
Panoramic Sunshade (if equipped)



The sunshade can be operated with the ignition switch or the operation mode in ON.

- A** - Pull the switch in the arrow direction to open the sunshade. Pulling the switch all the way automatically opens the sunshade completely.
- B** - Push the switch in the arrow direction to close the sunshade. Pushing the switch all the way automatically closes the sunshade completely.
- C** - Push the switch up to stop the moving sunshade. If an object obstructs the sunshade from closing, the safety mechanism will cause the sunshade to re-open automatically. The opened sunshade will become operational again after a few seconds.
- D** - The sunshade illumination turns on with the ignition switch or when the operation mode is in ON or ACC.
 - Push the switch to change brightness of the sunshade illumination. The brightness switches in sequence from High → Middle → Low → Off → High.

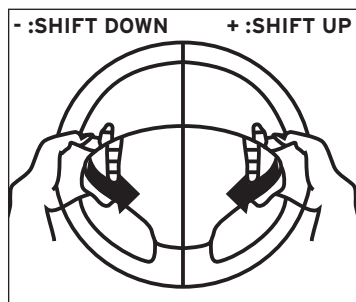
Telescopic Steering Wheel



Telescopic Steering Wheel - located on the left underside of the steering column is a lever that unlocks the steering column and allows adjustment of the height and distance of the steering wheel to the driver. When adjustments* are complete, push the lever back to its original position to lock the steering wheel in place.

*Adjust the steering wheel only when the vehicle is at a complete stop.

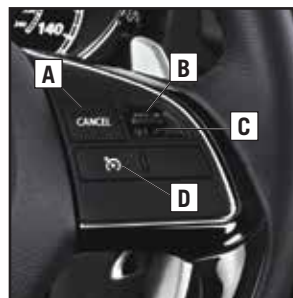
Paddle Shifters (if equipped)



Simply upshift or downshift with a tap of your fingers, without moving your hands from the steering wheel.

You can return to the automatic shifting mode by pulling the + (SHIFT UP) side paddle shifter towards you and holding for over **2 seconds**.

Cruise Control



- A - CANCEL:** To deactivate the cruise control
- B - RES +:** To increase the set speed or resume previously set cruise control operation.
- C - SET -:** To set the desired speed and to reduce the set speed
- D - ON/OFF:** To turn ON/OFF cruise control

To set a cruising speed

1. Press **D** and the **CRUISE** indicator light in the meter cluster will illuminate.
2. Accelerate or decelerate to your desired speed (above 25 mph). Press **C** and remove your foot from the accelerator pedal.

To accelerate or decelerate speed

Press **B** to increase set cruising speed.
Press **C** to decrease set cruising speed.

To cancel the cruising speed

Press **A**, the brake pedal or press **D**.

Drive Mode Selector (if equipped)



The drive mode can be switched by pressing the 4WD button while the ignition switch is in the ON position. The following drive modes are available:

2WD: This mode is for economical driving on normal dry roads and freeways.

4WD AUTO: This mode is for all driving conditions on various roads.

4WD LOCK: This mode is for driving in slippery conditions such as on snow-covered roads or sand.

Keyless Entry System

FAST-Key



1. **LOCK** (🔒) button
Press: Once – Lock all doors
2. **UNLOCK** (🔓) button
Press: Once – Unlock driver door
Twice – Unlock all doors
3. **PANIC**
Press and hold to sound alarm.
Press any button to turn off panic alarm.

Normal Key



FAST-Key (if equipped)

The Free-hand Advanced Security Transmitter (FAST-Key) enables the engine to be started and the operation mode to be changed simply by carrying it.



To lock or unlock the doors while carrying the FAST-Key press the driver's or front passenger's door lock/unlock switch **A**.

ECO Driving



When the ECO indicator light is on, your current driving style supports good fuel economy. The ECO light will only work in a normal mode.

Engine Start Switch (if equipped)



Starting the Engine

1. Make sure the parking brake is applied.
2. Press and hold the brake pedal down with your right foot.
3. Make sure the drive selector lever is in the "P" (Park) position.
4. Press the engine switch.

Stopping the Engine

1. Stop the vehicle.
2. Fully engage the parking brake while depressing the brake pedal.
3. Move the selector lever to the "P" (Park) position and then press the engine switch to stop the engine.

Tire Pressure Monitoring System (TPMS)

The Tire Pressure Monitoring System light illuminates when one or more of your tires is significantly underinflated. Please note that changes in the outside temperature may decrease tire pressure causing the TPMS light to turn on. If the TPMS light remains illuminated, check your tire pressure.



Warning light illuminates when tire pressure is too low.



If warning light illuminates, contact your Mitsubishi dealer. (May be a TPMS system issue or malfunction.)

Multi-Information Meter Switch (INFO Button)



Change display information by pushing the info button. Warnings, odometer/tripmeter, service reminder, engine coolant temperature, average and momentary fuel consumption, driving range and average speed, etc.

Multi-Information Display Switch



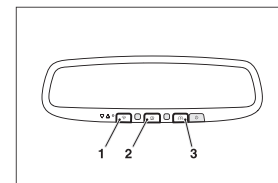
Each time the multi-information display switch is operated, the buzzer sounds and the multi-information display changes between information such as warnings, trip odometer, average and momentary fuel consumption, distance range, etc.

Programming a new HomeLink®

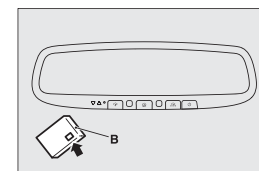
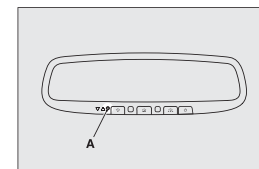
To program HomeLink® to operate a garage door, gate, or entry door opener, home or office lighting, you need to be at the same location as the device.

1. Press the HomeLink® button that you would like to program. The indicator light (A) will flash orange slowly.
2. Position the end of your hand-held transmitter (B) 1 to 3 inches (2 to 8 cm) away from the HomeLink® button while keeping the indicator light in view.
3. Press and hold the hand-held transmitter button while watching the indicator light (A). Continue pressing the button until the indicator light (A) changes from slowly flashing orange to either rapidly flashing green (rolling code) or continuously lit green (fixed code). Now you may release the hand-held transmitter button.
4. Press the just-trained HomeLink® button and observe the indicator light.
 - If the indicator light stays on constantly green, programming is complete and your device should operate when the HomeLink® button is pressed and released.
 - If the indicator light rapidly flashes green, firmly press, hold for 2 seconds and release the programmed HomeLink® button. Repeat the “press/hold/release” sequence a second time, and, depending on the brand of the garage door opener (or other rolling code equipped device), repeat this sequence a third time to complete the programming process. At this point if your device operates, programming is complete.
 - If the device does not operate, continue with “Programming a new HomeLink®” steps 5 to 7 to complete the programming of a rolling code equipped device.
5. At the garage door opener receiver (motor-head unit) in the garage, locate the “Learn” or “Smart” button. This can usually be found where the hanging antenna wire is attached to the motor-head unit (see the garage door opener manual to identify the “Learn” button).
6. Firmly press and release the “Learn” or “Smart” button. (The name and color of the button may vary by manufacturer.) There are typically 30 seconds to initiate step 7.
7. Return to the vehicle and firmly press, hold for 2 seconds and release the programmed HomeLink® button. Repeat the “press/hold/release” sequence a second time, and, depending on the brand of the garage door opener (or other rolling code equipped device), repeat this sequence a third time to complete the programming process. HomeLink® should now activate your rolling code equipped device.

NOTE: Some hand-held transmitters may actually train better a distance of 6 to 12 inches (15 to 20 cm). Keep this in mind if you have difficulty with the programming process.



- 1- HomeLink® button 1
- 2- HomeLink® button 2
- 3- HomeLink® button 3



Audio System



To enter frequencies into the memory (AM/FM/SAT)

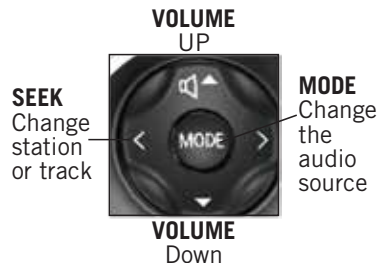
1. Press **A** to turn on the audio system.
2. Press **B** to select the desired band (AM/FM/SAT).
3. Press **C** to Seek Station.
4. Hold down one of the Memory select buttons **D** (1-6) until it beeps in order to save that station to memory.

To adjust the clock

1. Press and hold the **PAGE** key and the clock display flashes.
2. Press the various buttons shown just above **C** to adjust:
 - H**- "Hour" setting.
Press this key to fast-forward the "hours"
 - M**- "Minutes" setting.
Press this key to fast-forward the "minutes"
3. Press the **PAGE** key to finish adjusting the time. When the adjustment is completed, the clock display stops flashing.

NOTE: Please refer to your Owner's Manual for more detailed information on how to use your audio system.

Audio Remote Control Switch



USB and iPod® Input



1. Park your vehicle in a safe place and turn the ignition switch to the "OFF" position or put the Operation Mode in OFF.
2. Plug in the USB connecting cable that is supplied with your device and connect the USB end into the input terminal located in the floor console box.
3. Turn the ignition switch or the Operation Mode to the "ACC" position. Turn on the audio system.
4. Press MEDIA to switch to the USB mode. The input mode changes as follows:
CD → USB → Bluetooth®
5. Depending on your USB device, it may take longer for playback to start.
6. Once the device is selected, playback starts.

With Display Audio System, follow steps 1 through 3 above

4. Press **MENU** on the touch screen.
5. Touch **USB**.
6. Touch **<Folder>** then select a track and begin playback.

12 DISPLAY AUDIO SYSTEM (if equipped)

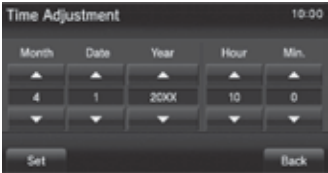
Listening to the Radio



- A** - Eject button for CD
- B** - Selects AM/FM, and/or SiriusXM® (if equipped)
- C** - Selects type of Media (CD, MP3 and BT-A)
- D** - Bluetooth® for phone
- E** - Power and Volume knob
- F** - Clock setting
- G** - Seek stations or CD track - up or down
- H** - Displays all radio & media modes available
- I** - Tune stations / adjust sound settings

To Adjust the Clock

You can adjust the time and date by touching the “Clock” **F** button on the top right of the display audio.

Settings name	Settings value	Settings content
Time Adjustment	Time	

Touch the corresponding or

HD Radio® This HD Radio receiver enables:

PSD

Program Service Data: Contributes to the superior user experience of HD Radio Technology. Presents song name, artist, station IDs, HD2/HD3 Channel Guide, and other relevant data streams.

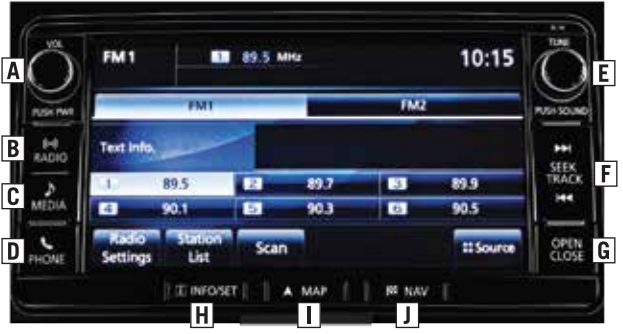
HD2/HD3

Adjacent to traditional main stations are extra local FM channels. These HD2/HD3 Channels provide new, original music as well as deep cuts into traditional genre.

Digital Sound

Digital, CD-quality sound. HD Radio Technology enables local radio stations to broadcast a clean digital signal. AM sounds like today's FM and FM sounds like a CD.

MMCS Navigation System (if equipped)



- A - **VOL** – Controls Volume. Push knob to turn system ON/OFF
- B - **RADIO** – Select between AM/FM/ & SiriusXM® stations
- C - **MEDIA** – Selects CD/SD/USB/ & BT Audio
- D - **PHONE** – Controls your phone
- E - **TUNE** – Tune stations or push knob for sound control
- F - **SEEK / TRACK** – Locate stations or CD tracks up or down
- G - **OPEN / CLOSE** – Eject CD or gain access to SD cards
- H - **INFO / SET** – Provides other information or setting functions
- I - **MAP** – Provides real time map & location
- J - **NAV** – Access a variety of navigation functions

Setting an Address

1. Press the NAV button at the bottom right of the screen
2. Touch Address/Intersection
3. If the state is correct – touch All Cities. If not correct, touch the State displayed and type in the correct state
4. Touch All Cities and type in the correct city
5. Touch All Streets and type in the correct street
6. Touch All House Numbers and type in the correct house #
7. Touch Set



Setting a Home Address

1. Touch on the NAV button at the bottom right of the screen
2. Touch on Home button on bottom left of screen. If Home Location is not set, it will ask if you want to jump to Personal Settings to register – Select Yes
3. Touch on Address/Intersection – New
4. If the state is correct – touch on All Cities. If not correct, touch on the State showing and type in the correct state
5. Touch All Cities and type in the correct city
6. Touch All Streets and type in the correct street
7. Touch All House Numbers and type in the correct house #
8. Touch Set



Bluetooth® Controls

For a list of compatible Bluetooth® devices please go to <http://www.mitsubishicars.com/owners>



- A SPEECH button:**
Change to voice recognition
- B PICK-UP button:**
Answer an incoming call
- C HANG-UP button:**
End a call or voice recognition

Pairing a Bluetooth® device with the Bluetooth® 2.0 interface

(Pairing is required only when the device is used for the first time.)

1. Stop your vehicle in a safe area, put the selector lever in the “P” (PARK) position and pull the parking brake lever.
2. Press the PHONE button on the Display Audio unit.
3. If you haven’t paired your phone, then the pairing process begins immediately. Follow the pairing features for your phone.
4. Enter the 4-digit code in your phone that is shown on the display screen and submit. This process may take a few seconds.
5. The pairing process is complete. A new message will show “Import entire phonebook from this phone.”
Press Yes to download your phonebook. This process may take a few minutes.
Press No to complete the pairing process at this time.

Please refer to the Owner’s Manual for additional pairing options.

Bluetooth is a registered trademark of Bluetooth SIG Inc.

To Make a Call

There are 3 ways to make a call: By Saying a Telephone Number, by using the Bluetooth 2.0 interface’s phonebook, and by redialing a telephone number.

Saying A Telephone Number

1. Press the Speech button.
2. Say “Dial.”
3. After the voice guide says “Number please,” say the telephone number.
4. The voice guide will say “Dialing <number recognized>”. The Bluetooth 2.0 interface will then make the call. When the confirmation function is on, the system will confirm the telephone number again. To continue with that number, answer “Yes.” To change the telephone number, answer “No.” The system will say “Number please.” then say the telephone number again.

Making A Call Using A Phonebook Number

1. Press the SPEECH button.
2. Say “Call” (Note: You must have names stored in the Phonebook or the voice guide will say “The vehicle phonebook is empty. Would you like to add a new entry now?”)
3. After the voice guide says, “Name please.” Say the name you want to call from those registered in the Phonebook. If there is only 1 match, the system voice guide will say “Calling <name>” and will dial the telephone number. If there are 2 or more matches, the voice guide will say “More than one match was found, would you like to call <repeats name>.” If that person is the one you want to call, answer “Yes.” If it is not the person, answer “No.” The name of the next matching person will be mentioned by the voice guide.

Redialing

Press the SPEECH button. Say “Redial”. The last phone number dialed from the system will be redialed.



Q: What should I do when my engine is hard to start?

A: Pressing on the accelerator pedal about half way down while cranking the engine may make it easier to start. When the engine starts, release your foot from the accelerator pedal.

Q: Is my phone compatible with the factory Mitsubishi Bluetooth® Hands-Free System?

A: Check the list of compatible phones at www.mitsubishicars.com/owners to see if the phone is Bluetooth® approved.

Q. Why doesn't my device (USB, iPhone®, Bluetooth® Audio, etc.) work?

A: You need to press the Media button to select the appropriate device you want to use.

Q: How do I use Bluetooth® Audio?

A: On the Display Audio radio, touch **Menu** and scroll to BT Audio. If your vehicle is equipped with Navigation, press **Media** and scroll to BT Audio.

Q: How do I transfer calls from Bluetooth® back to my mobile phone's handset?

A: While on the call, press the speech button on your steering wheel and, once prompted, say "Transfer Call."

Q: Why does the FUSE Hands-Free Link System™ take so long to upload my music from my audio music device?

A: The Mitsubishi system can read multiple device structures in order to catalog the music files for easy playing and listening. Depending on the amount of music you have on your device, this may take a few minutes.

Q: What are the different ways of playing music from my portable music player through the audio system in my vehicle, when equipped with the FUSE Hands-Free Link System™?

A: There are two ways of playing music through your vehicle's audio system.

- USB port - The FUSE system will find the songs in your device and categorize them according to Artist, Album, and Genre. Then you can have the FUSE system find and play the song in your device that you prefer without physically searching your device. This is done via voice commands. Note: In this mode the storage device will also be charged.
- Bluetooth® Streaming - Once your device is paired to the FUSE system, you can stream music from your device through the FUSE system to your vehicle's audio system. No wires or cords are required. Your music stops and restarts at the same song when you exit and when you re-enter the vehicle. Voice commands are not available.

Q: Why can't I control the music track selection via voice commands while Bluetooth® streaming?

A: The Mitsubishi system is not configured to support this functionality.

Q: My Outlander Sport is equipped with "Micron Air Filtration". Where is the filter located and does it need servicing?

A: The micron air filter is a small filter element which is located in the HVAC box just behind the glove box. The filter should be inspected frequently for debris. The filter works well at filtering incoming air however the filter will clog and lead to reduced outlet air volume if not serviced on a regular basis.

Q: My Outlander Sport has two 12V accessory outlets. What devices can be plugged into these outlets?

A: Both of these outlets are protected with 15 amp fuses. Always check the current draw rating of any device prior to use in the vehicle. If the device is rated above 12 amps, this could lead to circuit overload and the electrical fuse opening (no current flow).

Q: A buffeting noise is heard when the rear windows are rolled down. How can I reduce this noise?

A: Roll down the front windows about 2-3" to even out the air pressure within the vehicle.

Q: I only have one remote for the remote start system on my Outlander Sport. Can I get a second one?

A: No. Only one remote can be programmed per vehicle for security reasons.

Q: How can I get the MPG stated on the window sticker?

A: Vehicle driving styles will greatly affect MPG.

- Avoid sudden starts from a stop and let the vehicle coast to a traffic light. Both of these styles will increase mileage and reduce brake lining wear.
- Vehicles are designed to achieve the best fuel mileage when they are driven at the speed limits on the freeway. Avoid driving over 65 mph.
- Under inflated tires will increase rolling resistance and will reduce fuel mileage. Check tire pressure frequently to increase miles per gallon. Proper tire pressure also ensures optimum tire performance (including tire wear).

Q: How does the Navigation System choose a certain route?

A: The system takes into account traffic conditions, road types, distance and road width to recommend the route.

Q: Why does my Anti-Lock Braking System (ABS) make a noise?

A: Each time your vehicle is started and driven a short distance, you will hear the sound of the ABS motor operating from the right front engine compartment. This is the normal sound the Anti-Lock Braking System makes when performing a self check.

Q: Why do my Rain Sensing Windshield Wipers operate on their own when it's not raining?

- A:
- When the lever is in the AUTO position, the rain sensor detects rain or snow and automatically turns on the wipers.
 - The wipers may automatically operate when things such as insects or foreign objects are affixed to the windshield on top of the rain sensor or when the windshield is frosted over.
 - To stop the wipers, place the lever in the OFF position.

Q: Why does my check engine light come on after I put gas in my car?

A: There are many reasons why your check engine light may illuminate. Before calling your dealership, make sure the fuel cap is fully engaged and you have heard three clicks when tightening it. If after checking and hearing three clicks and driving for awhile the light is still on, contact your dealership.

Q: How do I use the emergency key when the FAST-Key battery or vehicle battery is run down?

A: Remove the emergency key from the FAST-Key fob and manually unlock the door. Once inside the vehicle, insert the FAST-Key fob into the key slot in the glove box. Starting the engine and changing the operation mode should now be possible. Remove the FAST-Key from the slot after starting the engine or changing the operation mode.



2017 OUTLANDER SPORT

www.mitsubishicars.com